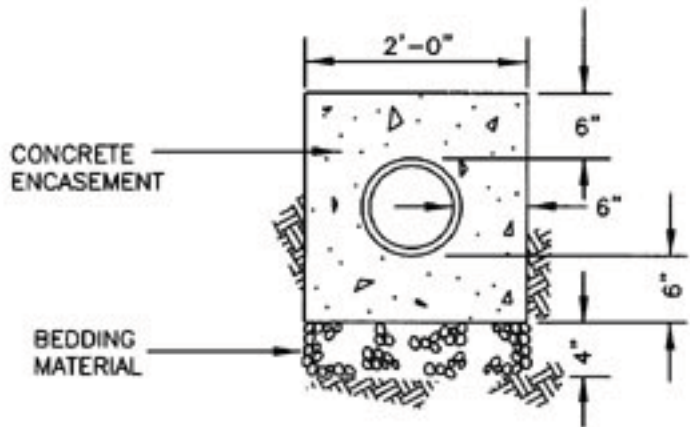
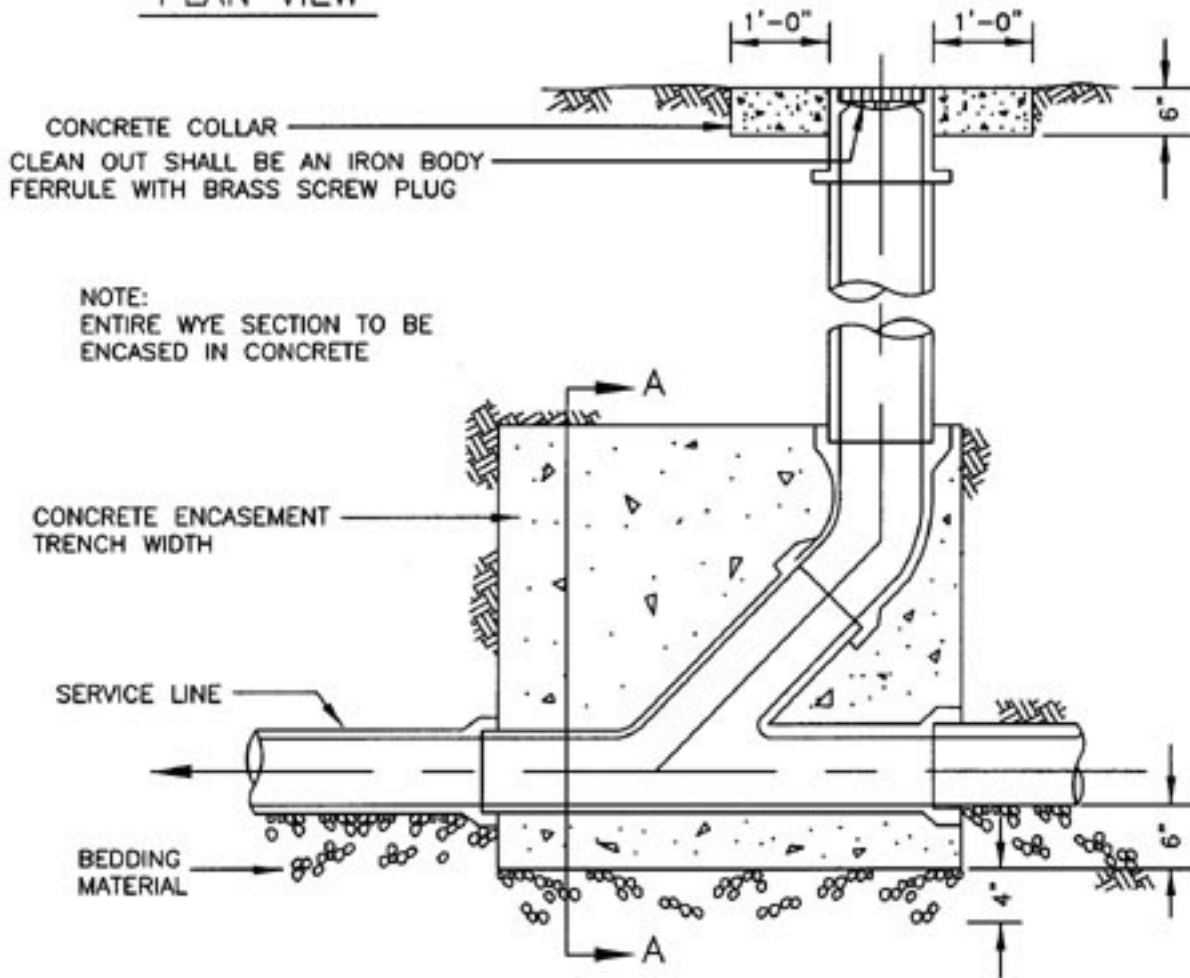


CONCRETE COLLAR TO BE USED IN UNPAVED AREAS ONLY

PLAN VIEW



SECTION A-A



NOTE:  
ENTIRE WYE SECTION TO BE ENCASED IN CONCRETE

ELEVATION

N.T.S.



CITY OF FEDERAL HEIGHTS  
COLORADO  
STANDARDS DRAWINGS  
MARCH 2010

STANDARD CLEAN-OUT  
DETAIL

DRAWING  
#  
**4-9**