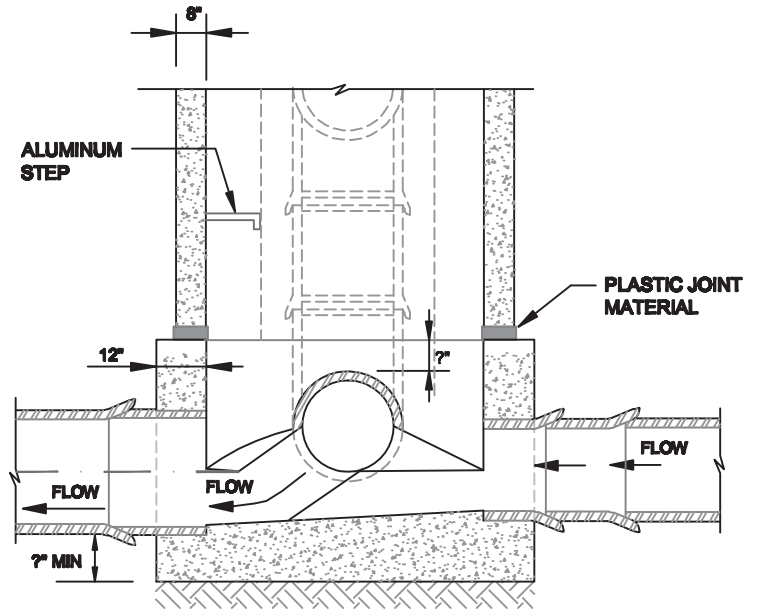
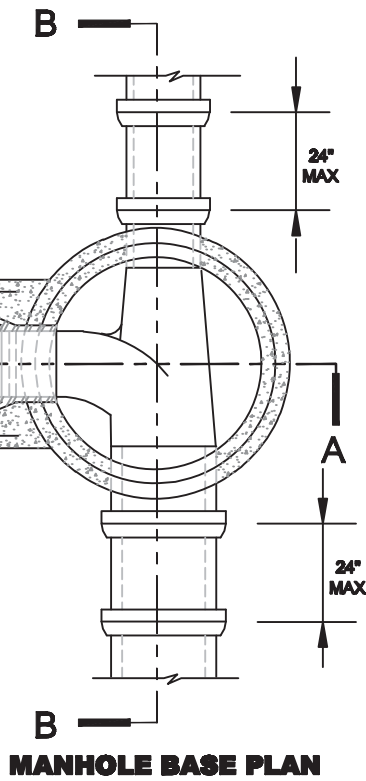
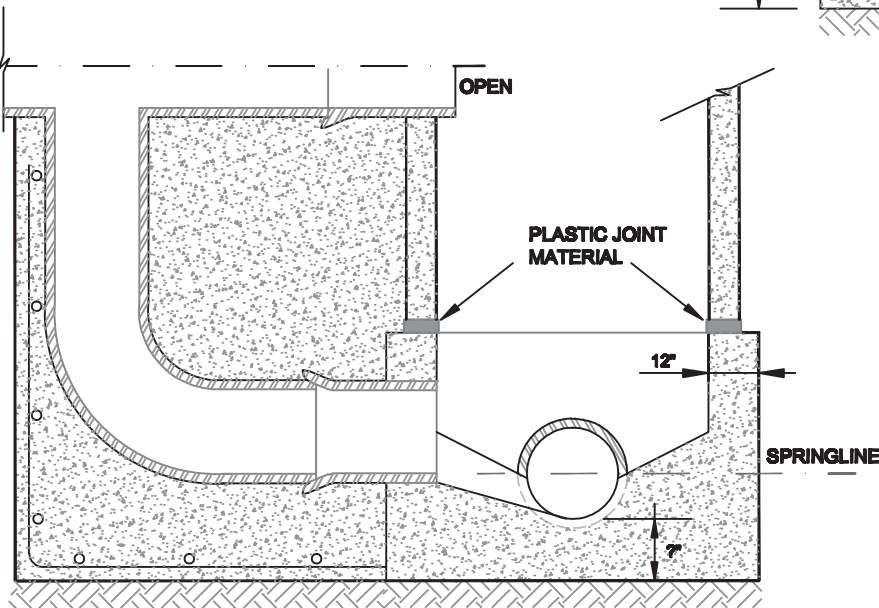


DROP MANHOLE ALTERNATE:

DUCTILE OR CAST IRON FITTINGS AND PIPE MAY BE USED IN PLACE OF ENCASEMENT, THE DUCTILE OR CAST IRON SHALL EXTEND ONE LENGTH FROM THE MANHOLE.



SECTION B-B



SECTION A-A

NOTES:

1. STRAIGHT SECTIONS OF SEWER PIPE MAY BE LAID THROUGH THE MANHOLE WITH CROWN REMOVED.
2. SECTIONS NOT LAID THROUGH THE MANHOLE SHALL DROP A MIN OF 0.2 FEET.
3. BENCHES SHALL SLOPE 2 IN.
4. THERE SHALL BE A JOINT MADE AT THE EDGE OF THE MANHOLE BASE.
5. THE OUTSIDE WALLS SHALL BE FORMED TO THE DESIGNED SHAPE.
6. THE TOP OF THE BASE SHALL BE LEVEL IN ALL CASES.



CITY OF FEDERAL HEIGHTS
 COLORADO
 STANDARDS DRAWINGS
 MARCH 2010

STANDARDS DRAWING

DROP MANHOLE

DRAWING

#

4-4