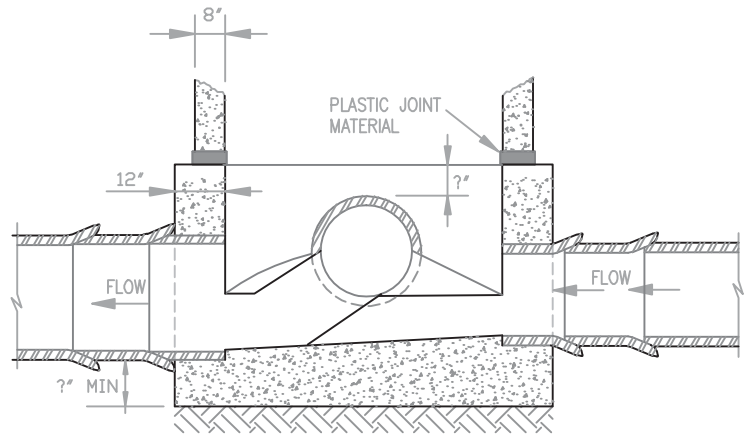
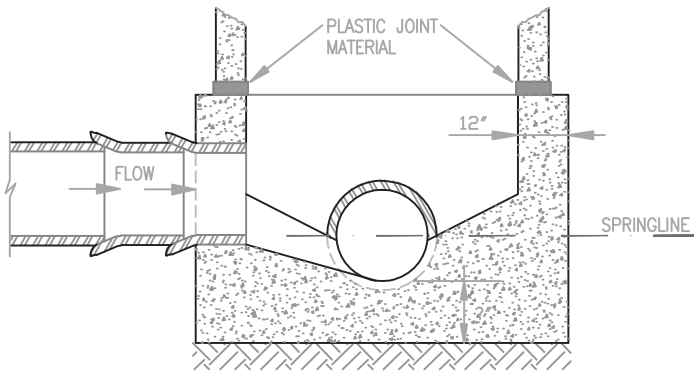


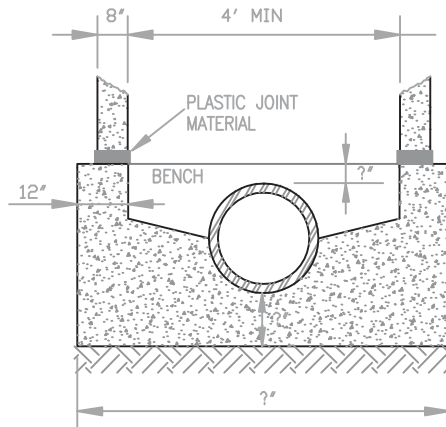
MANHOLE BASE PLAN



SECTION B-B



SECTION A-A



MONOLITHIC BASE

NOTES:

1. STRAIGHT SECTIONS OF SEWER PIPE MAY BE LAID THROUGH THE MANHOLE WITH CROWN REMOVED.
2. SECTIONS NOT LAID THROUGH THE MANHOLE SHALL DROP A MIN OF 0.2 FEET.
3. BENCHES SHALL SLOPE 2 IN.
4. THERE SHALL BE A JOINT MADE AT THE EDGE OF THE MANHOLE BASE.
5. THE OUTSIDE WALLS SHALL BE FORMED TO THE DESIGNED SHAPE.
6. THE TOP OF THE BASE SHALL BE LEVEL IN ALL CASES.



CITY OF FEDERAL HEIGHTS
 COLORADO
 STANDARDS DRAWINGS
 MARCH 2010

STANDARDS DRAWING
 MANHOLE BASE DESIGN/DETAIL

DRAWING
 #
 4-3