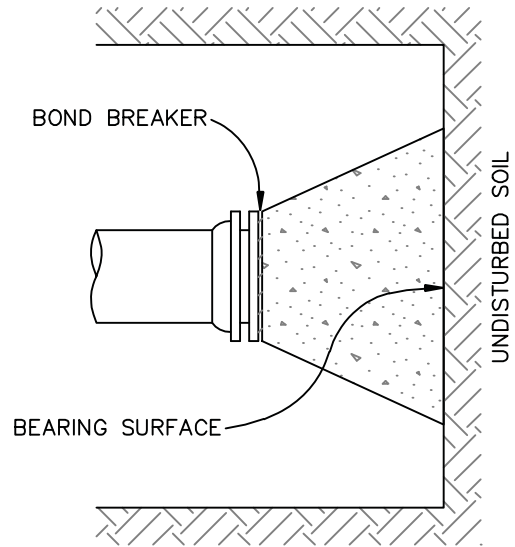
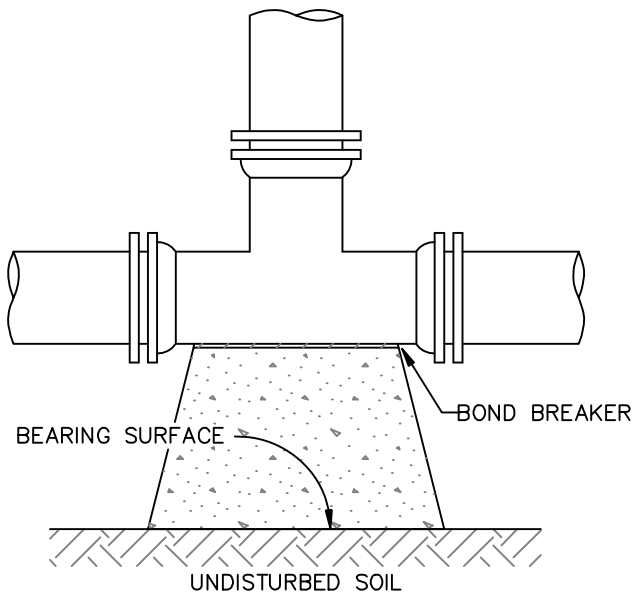


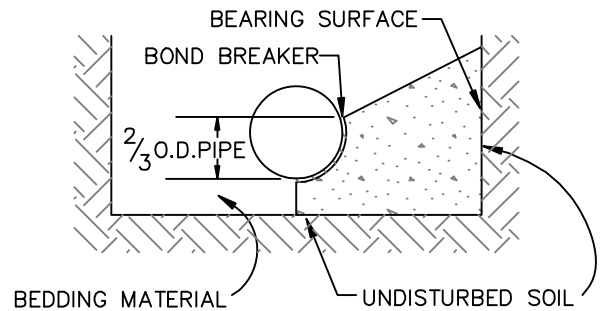
11¼; 22½; 45° AND 90° BENDS



DEAD END



TEE



TYPICAL CROSS SECTION

NOTES:

1. BEARING SURFACES SHOWN IN CHART ARE MINIMUM.
2. BASED ON 150 PSI INTERNAL PIPE PRESSURE PLUS WATER HAMMER
4" THRU 12" WATER HAMMER = 110 PSI.
3. SOIL BEARING CAPACITY - 3,000 LB./SQ.FT.
4. ALL 90° BENDS SHALL BE MEG-A-LUGED.

**MINIMUM BEARING SURFACE AREA
(IN SQUARE FEET)**

| PIPE SIZE | BENDS | | | TEE OR DEAD END |
|-----------|-------|------|------|-----------------|
| | 11¼' | 22½' | 45° | |
| 4" | 1.00 | 1.00 | 1.00 | 1.50 |
| 6" | 1.00 | 1.25 | 2.25 | 3.00 |
| 8" | 1.00 | 2.00 | 4.00 | 5.25 |
| 12" | 2.25 | 4.50 | 8.75 | 11.25 |



CITY OF FEDERAL HEIGHTS
COLORADO
STANDARDS DRAWINGS
MARCH 2010

CONCRETE
KICKBLOCK

DRAWING

3-6