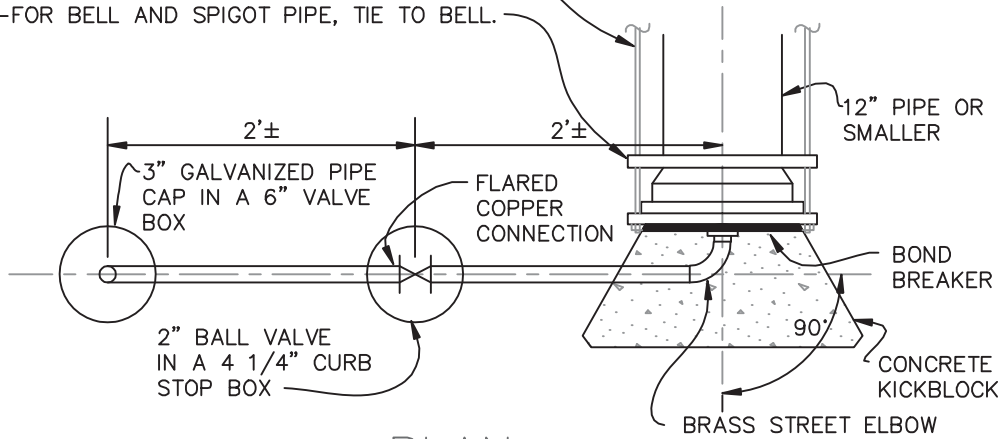


NOTE:

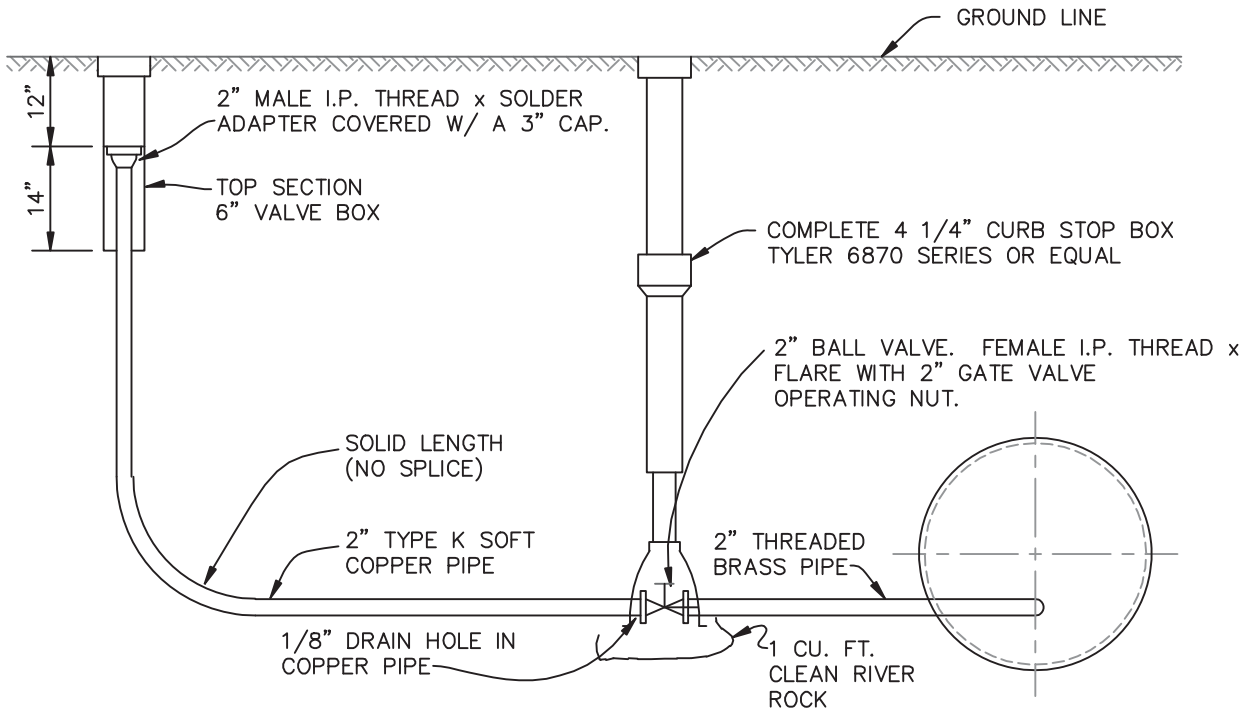
PLUG SHALL BE MECHANICALLY RESTRAINED:

A--FOR SLEEVE TYPE MACHINED COUPLING PIPE, TIE BACK TO NEXT COUPLING.

B--FOR BELL AND SPIGOT PIPE, TIE TO BELL.



PLAN



ELEVATION



CITY OF FEDERAL HEIGHTS
COLORADO
STANDARDS DRAWINGS
MARCH 2010

BLOW-OFF INSTALLATION
FOR 12" & SMALLER PIPES

DRAWING

3-4