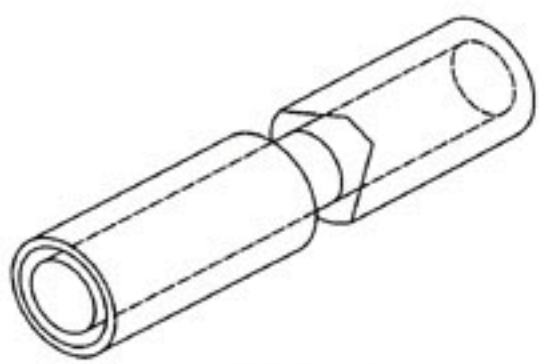
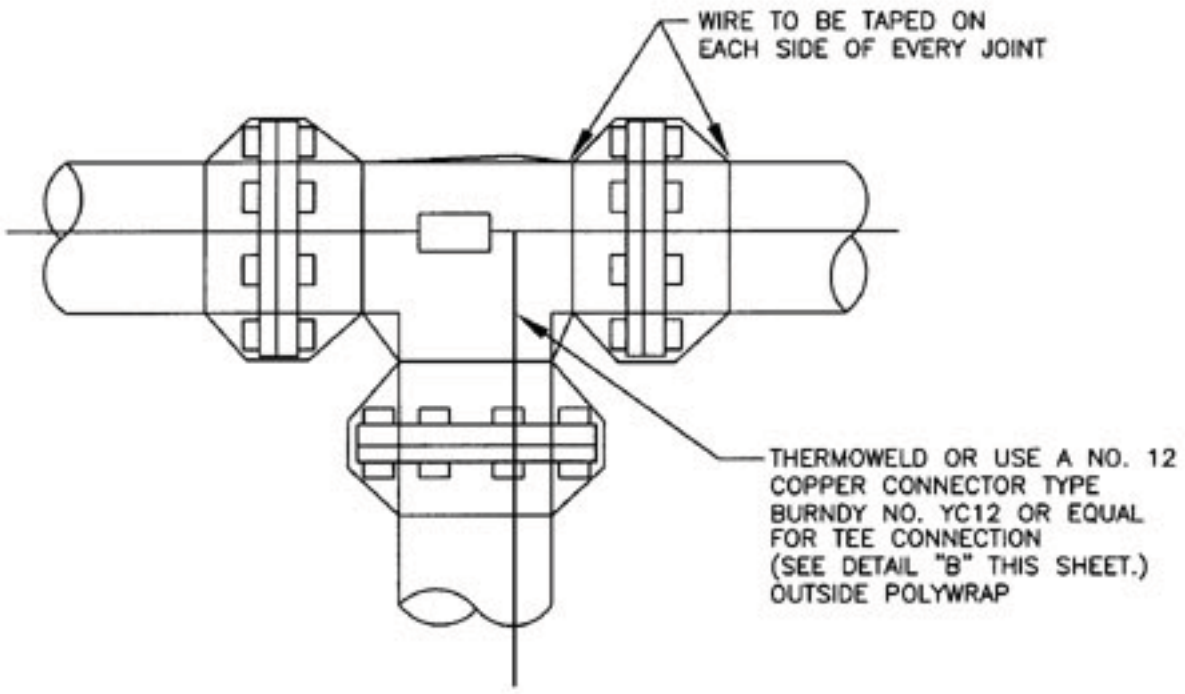
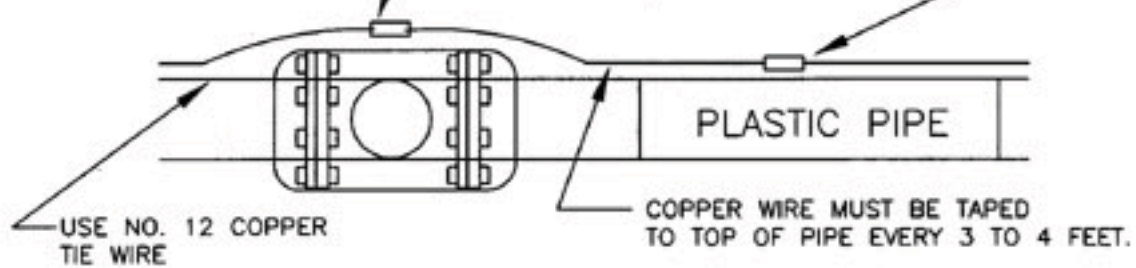
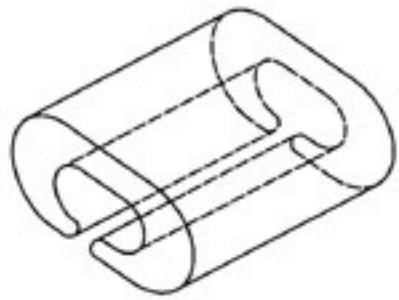


THERMOWELD OR USE A NO. 12
COPPER CONNECTOR TYPE
BURNDY NO. YC12 OR EQUAL

THERMOWELD OR USE A NO. 12 COPPER CONNECTOR TYPE
DOSSERT NO. DCP2 HOMAC NO. CST OR EQUAL
(SEE DETAIL "A" THIS SHEET)



DETAIL A



DETAIL B



Federal Heights

CITY OF FEDERAL HEIGHTS
COLORADO
STANDARDS DRAWINGS
MARCH 2010

TRACER WIRE
ON PLASTIC PIPE

DRAWING

3-14