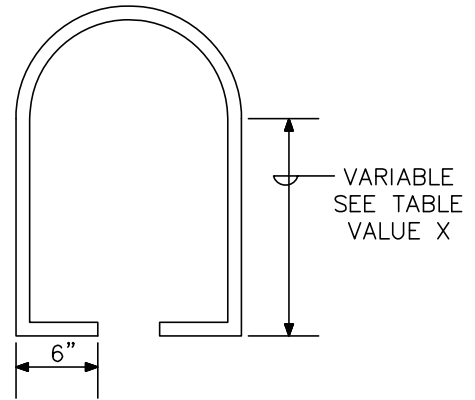
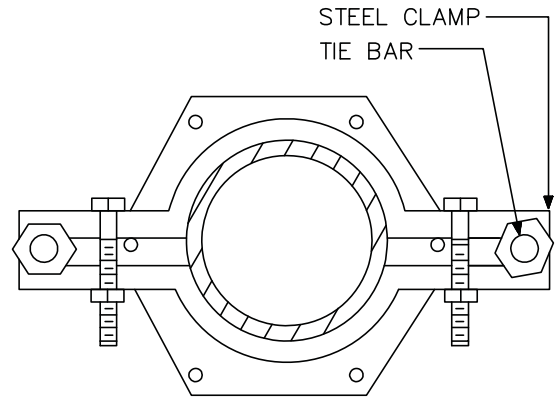


PLAN VIEW A



DETAIL B

MAIN SIZE	DEFORMED BAR		TIE BAR	
	DIA.	X	DIA.	AMOUNT
8"	-	-	.375	2
12"	.500	18"	.500	2
16"	.750	20"	.750	2
24"	1.000	24"	1.000	2



SECTION A-A

NOTES:

1. PIPE USED IN LOWERING SHALL BE DUCTILE IRON PIPE WITH 8 MIL POLYWRAP.
2. FITTINGS, PIPES & TIE BARS TO BE WRAPPED SEPARATELY IN POLYETHYLENE.
3. 45° FITTINGS SHALL BE USED.
4. FITTINGS SHALL BE RODDED TO NEXT BELL & NO JOINTS ARE ALLOWED BETWEEN FITTINGS.
5. FITTINGS SHALL BE M.J.
6. PIGEARS SHALL BE USED ON RODDING FOR FITTINGS UNLESS OTHERWISE APPROVED BY CITY OF THORNTON ENGINEER.

N.T.S.
SHEET 2 OF 2



CITY OF FEDERAL HEIGHTS
COLORADO
STANDARDS DRAWINGS
MARCH 2010

WATERMAIN LOWERING
DETAIL

DRAWING

3-13B