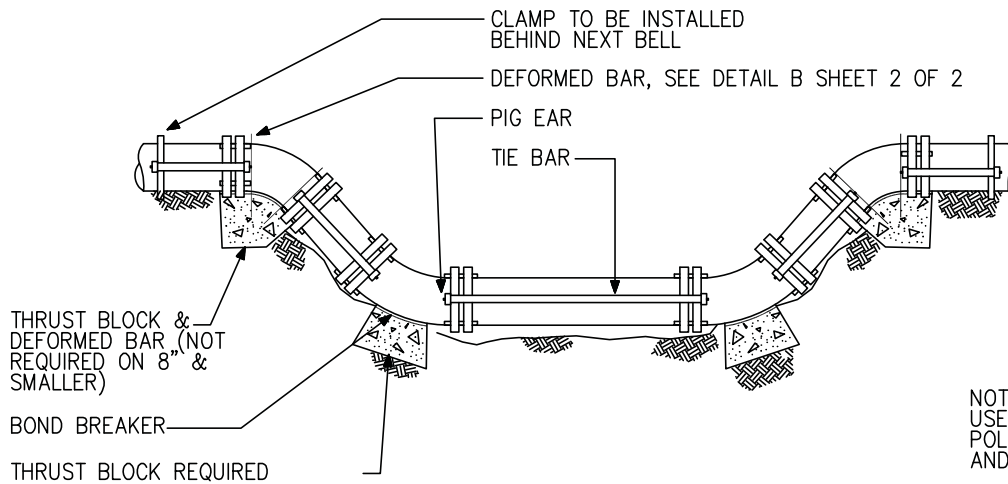


EXISTING ASBESTOS CEMENT PIPE



NOTE:
USE STANDARD BEDDING
POLYETHYLENE WRAP PIPE
AND FITTINGS.

EXISTING DUCTILE IRON PIPE

N.T.S.
SHEET 1 OF 2



CITY OF FEDERAL HEIGHTS
COLORADO
STANDARDS DRAWINGS
MARCH 2010

**WATERMAIN LOWERING
DETAIL**

DRAWING

3-13A