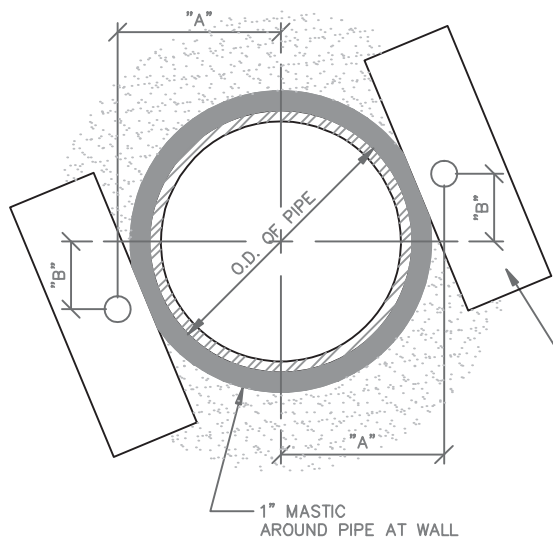
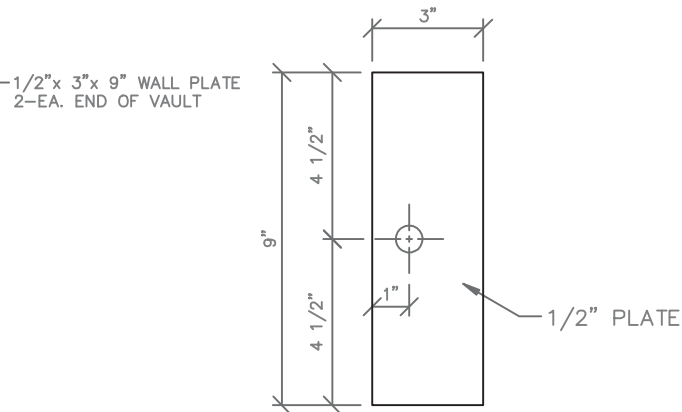


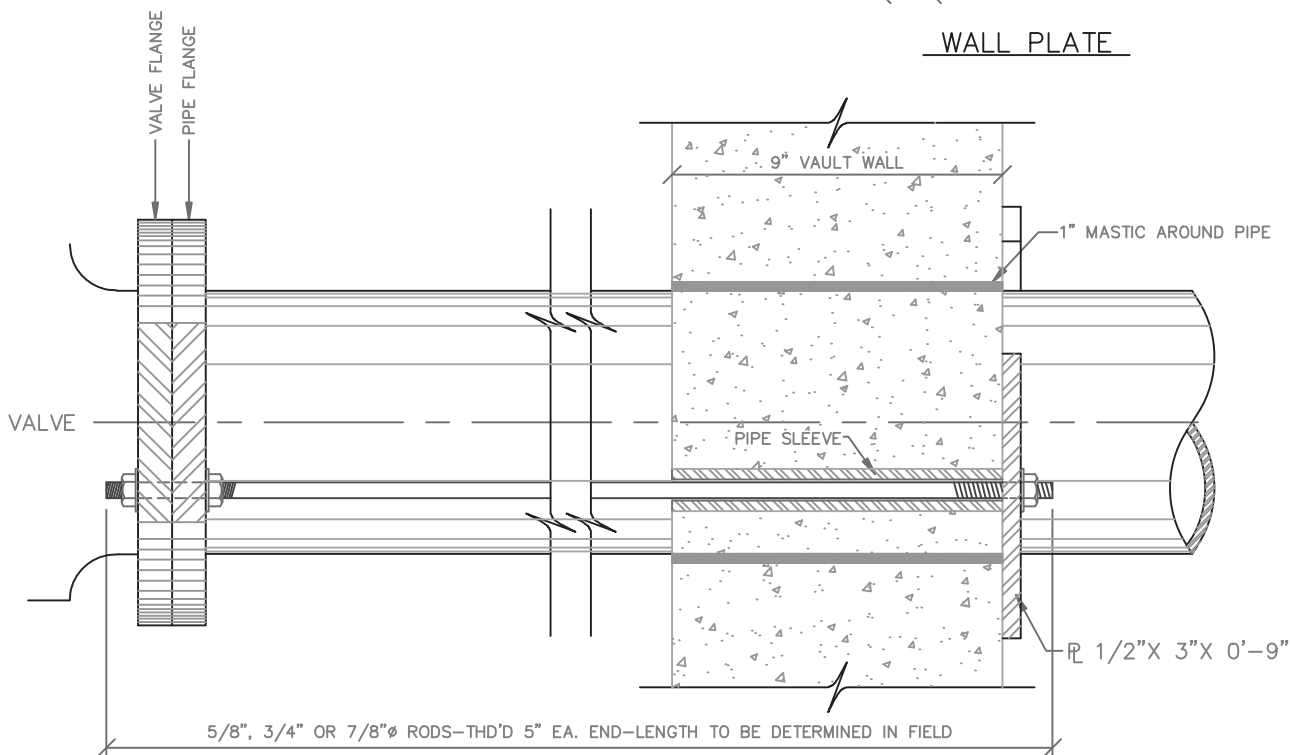
PIPE SIZE	RODS No. SIZE	WALL PIPE SLEEVES	"A"	"B"
3"	2 - 5/8"Ø	3/4" x 9"	2 1/8"	2 1/8"
4"	2 - 5/8"Ø	3/4" x 9"	3 1/2"	1 7/16"
6"	2 - 5/8"Ø	3/4" x 9"	4 3/8"	1 13/16"
8"	2 - 3/4"Ø	1" x 9"	5 7/16"	2 1/4"
10"	2 - 7/8"Ø	1 1/2" x 9"	5 7/8"	3 3/8"



EXTERIOR ELEVATION



WALL PLATE



ELEVATION



CITY OF FEDERAL HEIGHTS
 COLORADO
 STANDARDS DRAWINGS
 MARCH 2010

WALL CLAMPS FOR
 3", 4", 6" & 8" METERS

DRAWING
 #
3-11