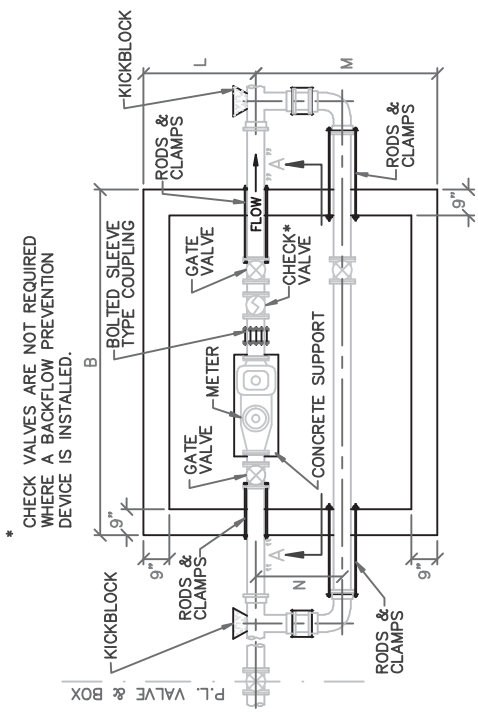




CITY OF FEDERAL HEIGHTS
 COLORADO
 STANDARDS DRAWINGS
 MARCH 2010

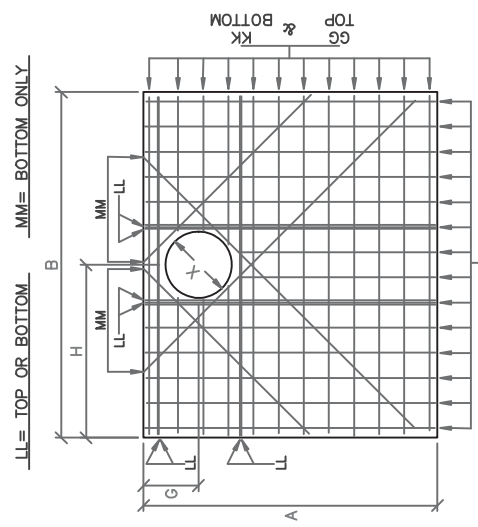
3", 4" & 6" COMPOUND
 METER SETTINGS

DRAWING
 #
3-10A

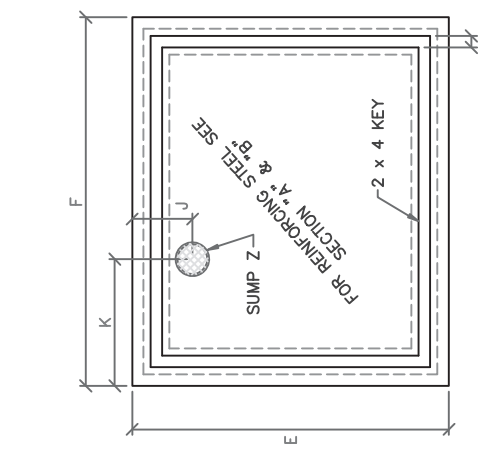


PLAN OF PIPING

NOTE:
 1" MASTIC Typ @ ALL
 RODS THRU WALLS.



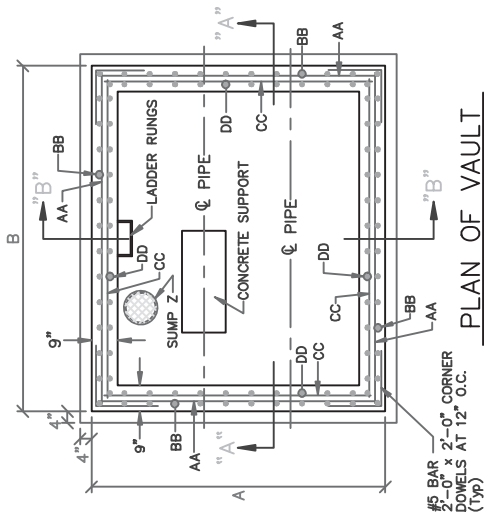
ROOF SLAB



FLOOR SLAB

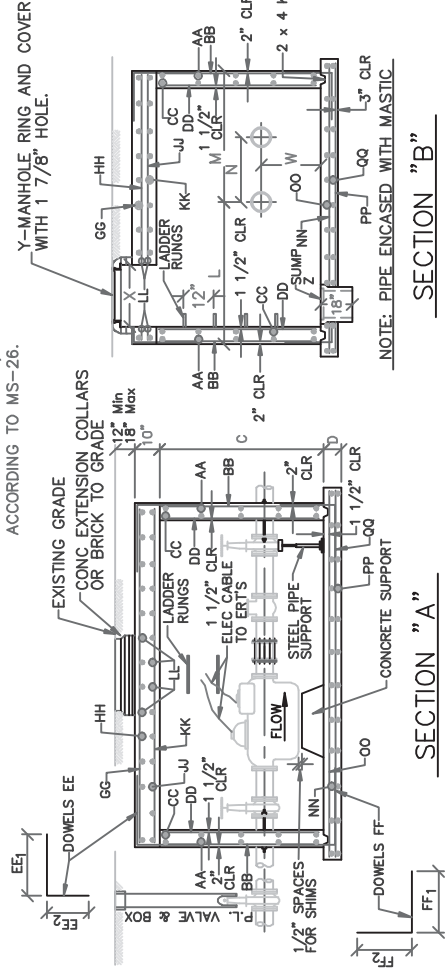
NOTE:
 THE ROOF SLAB MAT BE CAST
 IN SECTIONS FOR FUTURE ACCESS.
 THE INDIVIDUAL SECTION WEIGHT
 MUST NOT EXCEED 7,500 POUNDS
 ACCORDING TO MS-26.

Y-MANHOLE RING AND COVER
 WITH 1 7/8" HOLE.



PLAN OF VAULT

#5 BAR
 2'-0" x 2'-0" CORNER
 DOWELS AT 12" O.C.
 (Typ)



SECTION "A"

SECTION "B"

SEE SHEET NO. 57 FOR DIMENSIONS
 CORRESPONDING TO THIS DRAWING.

NOTE:
 EACH METER REGISTER REQUIRES AN ELECTRONIC
 DIGITAL ENCODER OR MECHANICALLY ENCODED REGISTER
 WITH AN ITRON ERT MODEL W40-1 FOR OUTSIDE AND
 W40 FOR INSIDE INSTALLATIONS EXCEPT FOR MASTER
 METER DISTRIBUTORS.

NOTE:
 THE DISTANCE BETWEEN RUNGS, CLEATS AND STEPS
 SHALL NOT EXCEED 12 INCHES AND SHALL UNIFORM
 THROUGHOUT THE LENGTH OF THE LADDER.