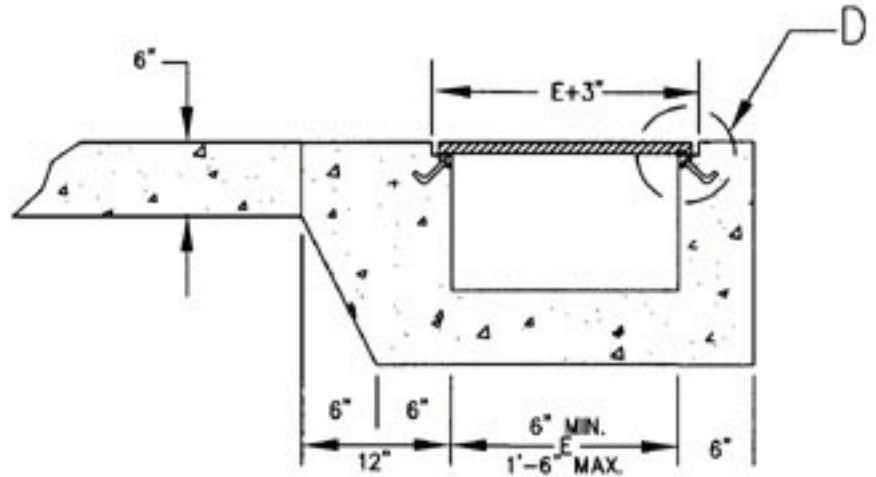


SECTION B-B

SECTION C-C



1/4" STEEL PLATE  
NON SLIP RAISED PATTERN

PLATE FLUSH WITH  
TOP OF WALK

3/16" CLEARANCE

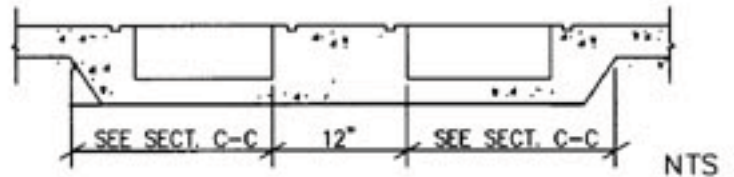
DETAIL D

1 1/2"x1 1/2"x1/4" ANGLE IRON  
DRILLED & TAPED FOR  
1/4" MACHINE SCREWS

1/4" x 3/4" F.H. MACHINE SCREWS  
@ 2'4" O.C. COUNTER SINK FLUSH  
WITH PLATE

3 REBAR 6" LONG WELD  
TO ANGLE 18" O.C.

MULTIPLE CHASE



CITY OF FEDERAL HEIGHTS  
COLORADO  
ENGINEERING DEPT.  
2380 W. 90TH AVE.  
303.428.3526

STANDARDS DRAWING  
CHASE DRAIN DETAILS  
DATE: MARCH 2010

DRAWING  
#  
**2-6A**