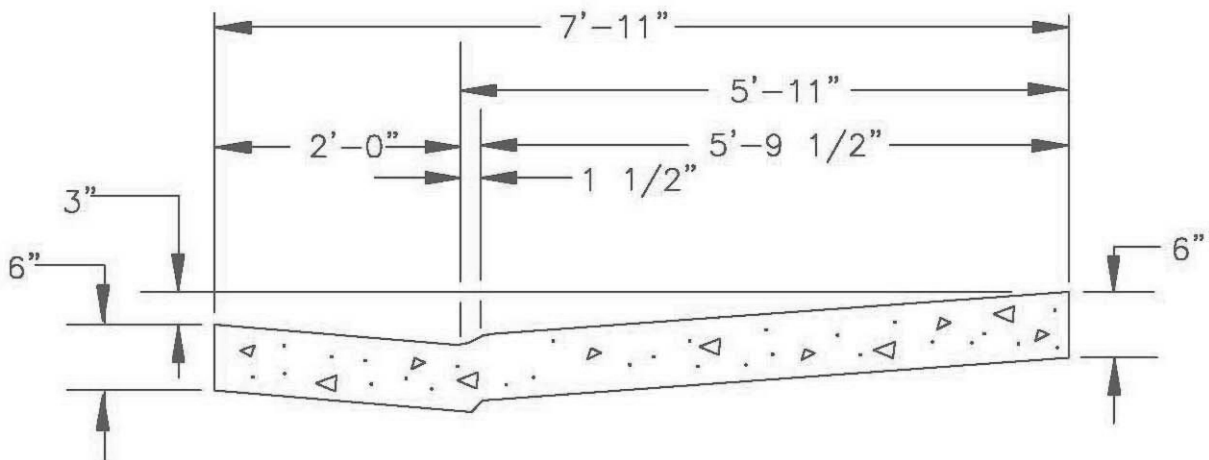


COMBINATION CURB, GUTTER & WALK
STANDARD SECTION



COMBINATION CURB, GUTTER & WALK
DEPRESSED SECTION

NOTES:

1. USE ONLY WITH REPAIR / REPLACEMENT. NOT TO BE USED WITH NEW CONSTRUCTION.
2. BROOM FINISH.
3. EXPANSION JOINTS @ 200' MAX INTERVAL
4. CONTRACTION JOINTS @ 10' MAX. INTERVAL.



CITY OF
FEDERAL HEIGHTS
COLORADO
ENGINEERING DEPT.
2380 W. 90TH AVE.
303.428.3526

STANDARD DRAWING
ROLLED CURB DETAILS
DRAWING NOT TO SCALE

DATE: MARCH 2010

DRAWING

2-1C