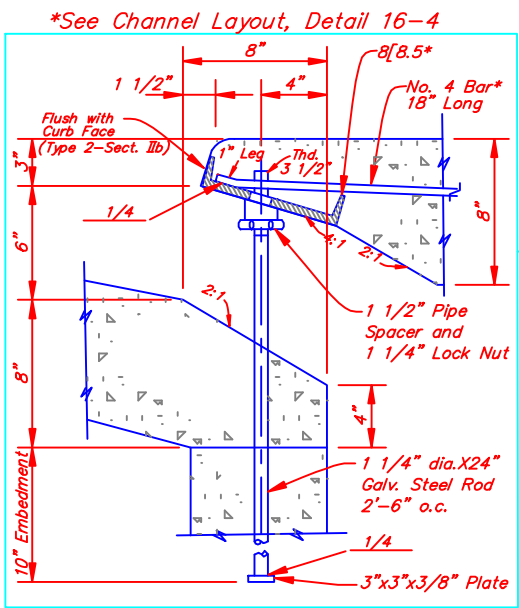
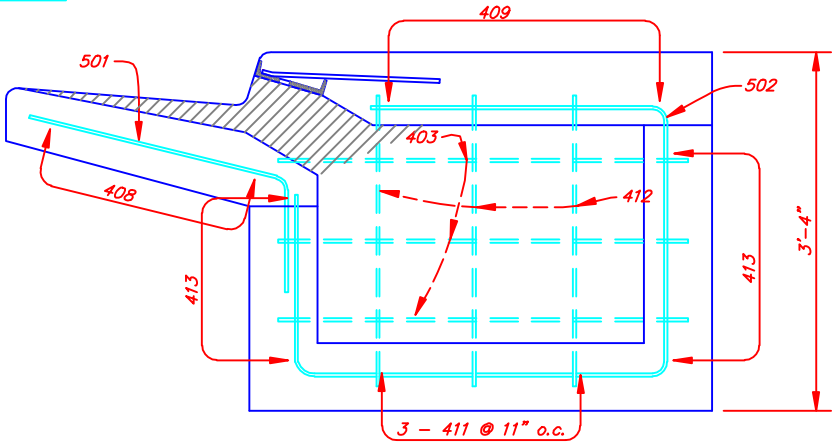


**SECTION B-B  
TYPICAL END VIEW**



**CURB FACE ASSEMBLY**  
Place Entire Assembly  
Before Pouring Concrete



(Dashed Bars are in Section d-d)  
**SECTION C-C & d-d**



**CITY OF  
FEDERAL HEIGHTS  
COLORADO  
ENGINEERING DEPT.  
2380 W. 90th Ave.  
303-428-3526**

**STANDARDS DRAWING  
CURB INLET - TYPE R  
COLORADO DEPT. OF HIGHWAYS  
DATE: MARCH 2002**

**DRAWING  
#  
16-2**